



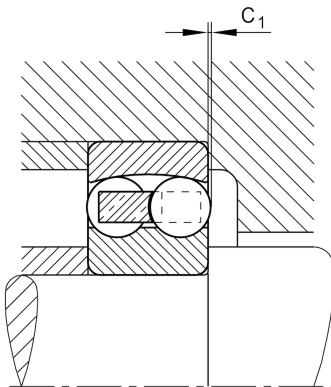
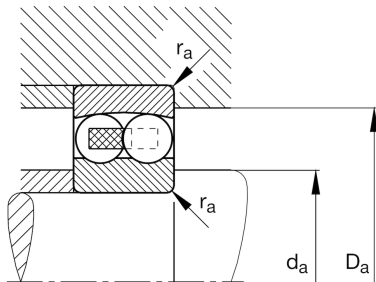
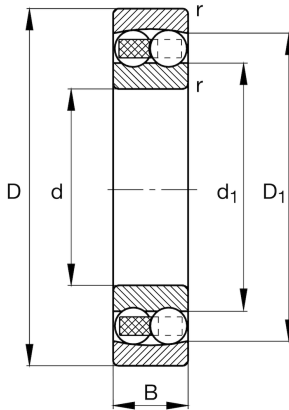
FAG

1318-M

Self-aligning ball bearing

Schaeffler ID:
0167008990000Self-aligning ball bearing 13.-M, solid
brass cage

Technical information

**Main Dimensions & Performance Data**

d	90 mm	Bore diameter
D	190 mm	Outside diameter
B	43 mm	Width
r_{\min}	3 mm	Minimum chamfer dimension
C_r	109.000 N	Basic dynamic load rating, radial
C_{0r}	43.000 N	Basic static load rating, radial
C_{ur}	2.300 N	Fatigue load limit, radial
n_G	5.500 1/min	Limiting speed
n_{gr}	4.200 1/min	Reference speed
	6,132 kg	Weight

Dimensions

D_1	159,8 mm	Shoulder diameter outer ring
d_1	124,4 mm	Shoulder diameter inner ring
C_1	0,1 mm	Overhang rolling element

Mounting dimensions

$d_{a\min}$	104 mm	Minimum diameter shaft shoulder
$D_{a\max}$	176 mm	Maximum diameter of housing shoulder
$r_{a\max}$	2,5 mm	Maximum fillet radius

Calculation factors

e	0,22	Limiting value of F_a/F_r for the applicability of diff. Values of factors X and Y
Y_1	2,84	Dynamic axial load factor
Y_2	4,4	Dynamic axial load factor
Y_0	2,98	Static axial load factor

Temperature range

T_{\min}	-30 °C	Operating temperature min.
T_{\max}	150 °C	Operating temperature max.